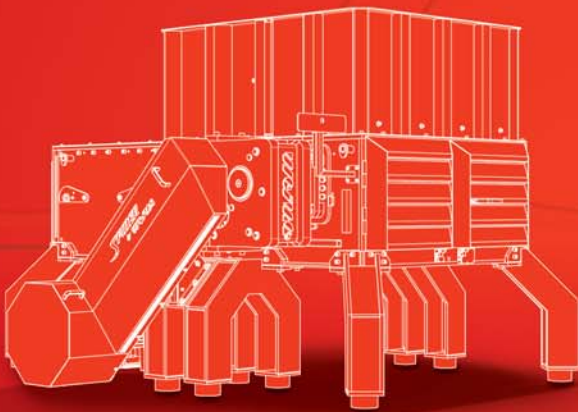




shredding + briquetting



# SHREDDERS WITH INNOVATIVE PRESSING SYSTEM

SPIDER HRS-SERIES



[www.weima.com](http://www.weima.com)

# SPIDER HRS – SERIES: WITH MODULAR PRESSING SYSTEM.

TODAY HARD PLASTICS, TOMORROW FOILS ...  
THE INNOVATIVE CONSTRUCTION OF THE SPIDER HRS SERIES  
OFFERS THE GREATEST FLEXIBILITY.



**HORIZONTAL RAM FEED**



**CURVED RAM**



## **SPACER**

→ For very big parts



## **V-ROTOR**

→ Patented V-Rotor // All-purpose // High throughput // Low energy consumption // Low wear costs



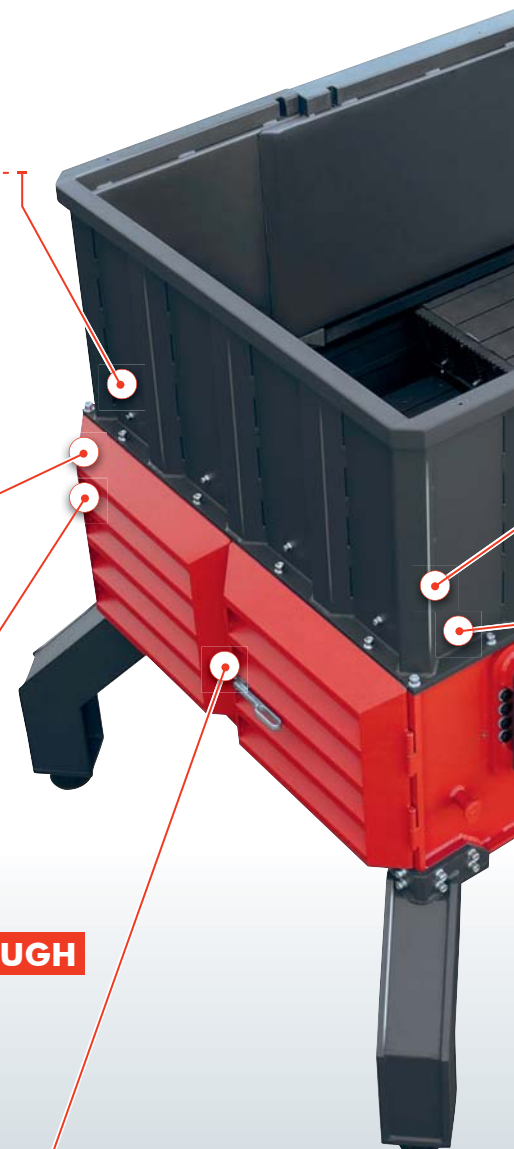
## **F-ROTOR**

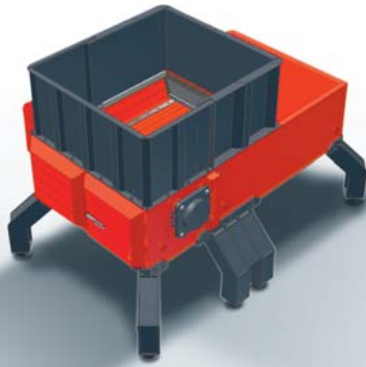
→ Controlled feeding // Precise cutting // Available with bolted or welded knife holders



## **SCREEN ACCESSED THROUGH HINGED DROP BASKET**

→ Various screen sizes available





FEED



ANGLED RAM FEED

### ELECTROMECHANICAL DRIVE

- Rotor driven by WEIMA-developed gear-box // Electric motor with up to 110 kW // Hydro clutch and v-belt



### HYDRAULIC DRIVE

- Sturdy drive // Extremely high torque at low kW performance // Variable capacity pump



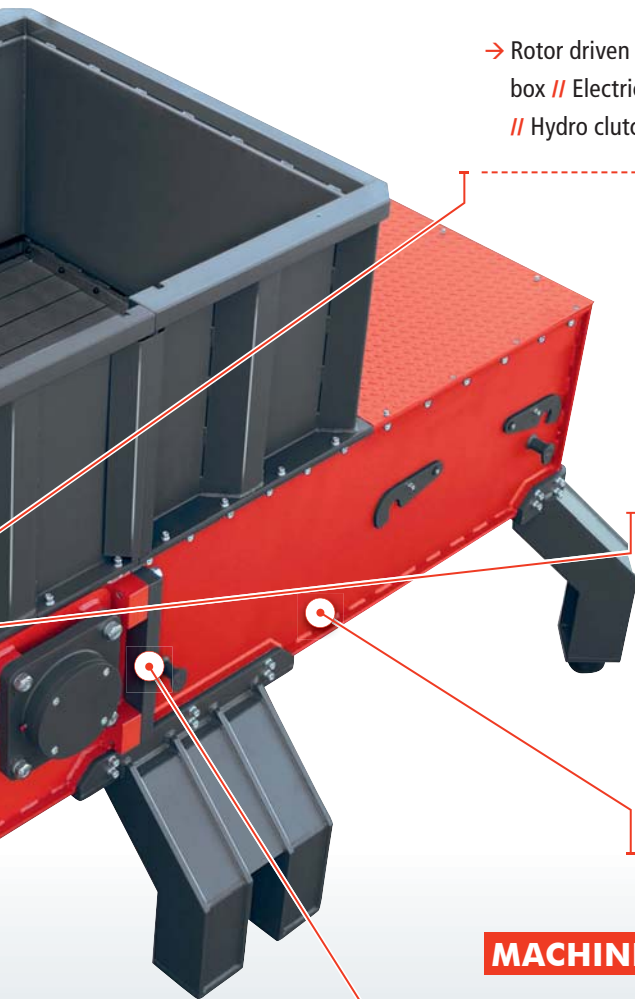
### RAM ON ROLLERS

- Different rollers available



### MACHINE FRAME

- Modular partitions possible for HRS



# ROTOR AND CUTTING TECHNIQUE.

WE DEVELOP INNOVATIONS THAT SAVE YOU MONEY.

The Spider HRS-Series can be equipped with different rotor and knife designs. This choice depends on your type of material in order to customize the machine to achieve optimum results.

The grinding of the driven material takes place between the rotor knives and counter knives.

## YOUR ADVANTAGES

- Vast range of effective rotor and knife designs
- Tight tolerance counter knife
- Made of the best material: hardened steel or carbide-tipped knives
- Optionally available with second counter knife



**FLAT** ▶ for general use



**CONCAVE** ▶ for better feeding



**EXTREME** ▶ for smoother cuts



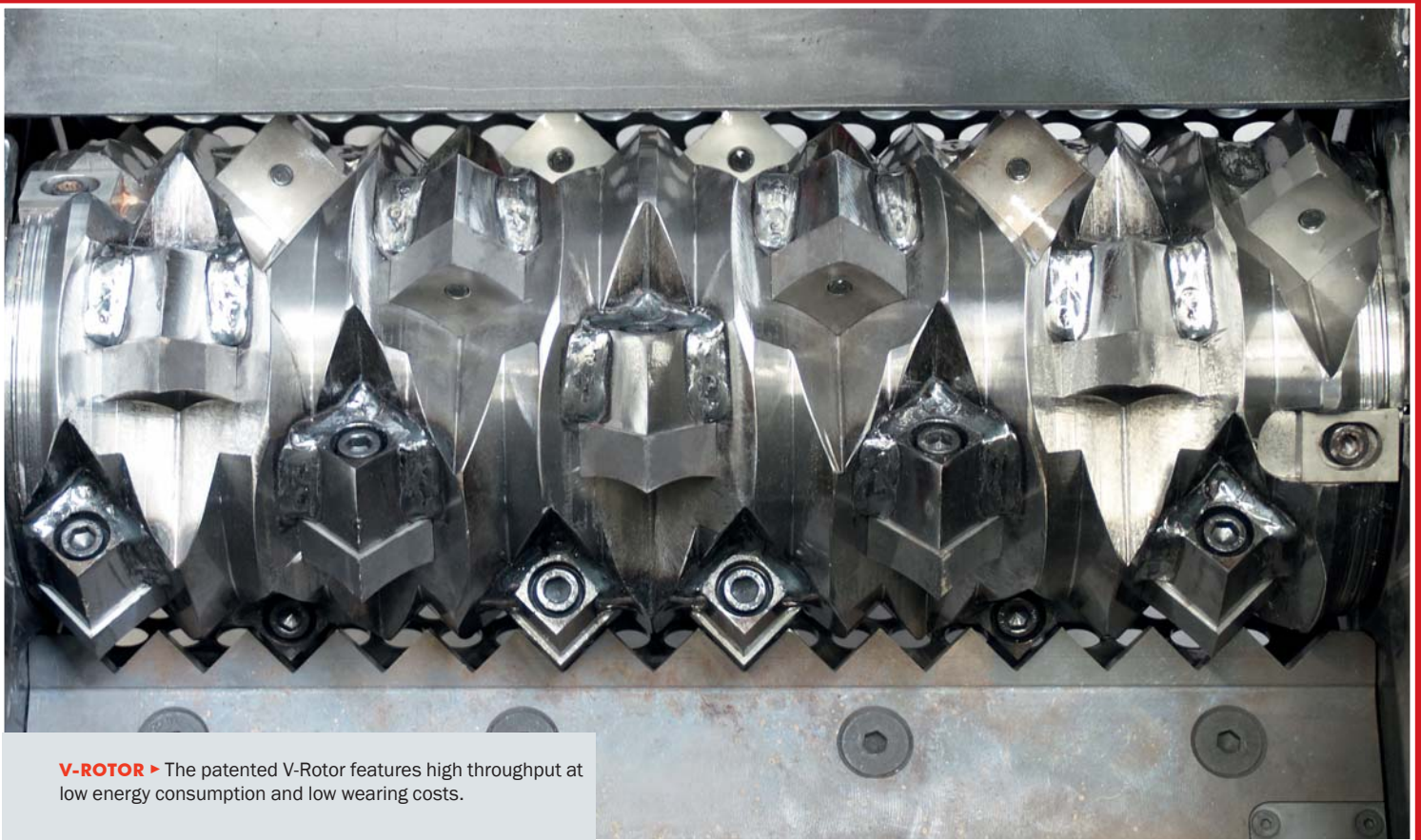
**CROSSCUT** ▶ for more cuts



**CARBIDE** ▶ for increased wearability



**TRAPEZOIDAL** ▶ for extreme applications

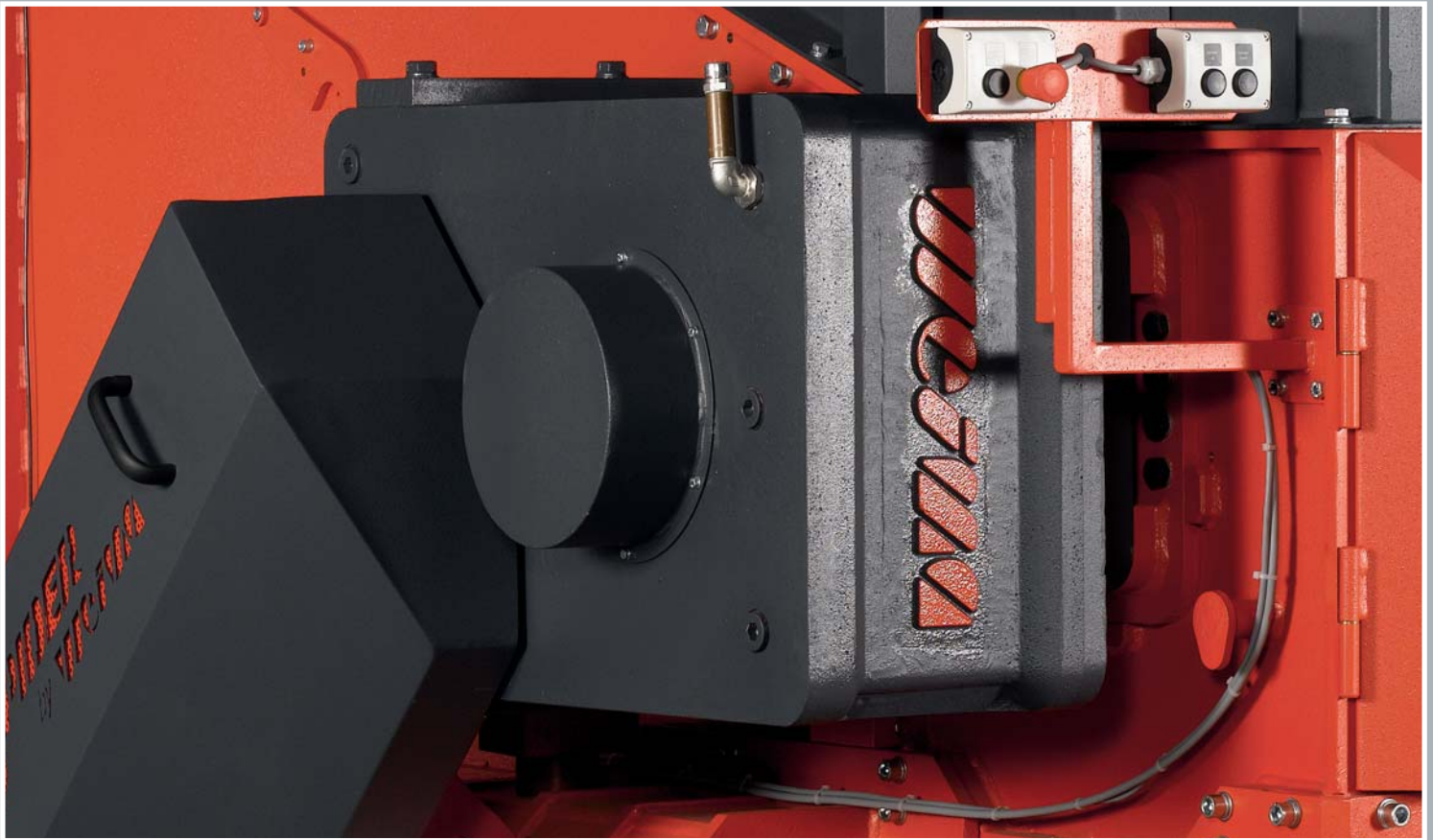


**V-ROTOR** ▶ The patented V-Rotor features high throughput at low energy consumption and low wearing costs.

**FLEXIBLE AND POWERFUL.** The three available designs of the Spider HRS and the different rotors and knives allow for optimal reduction of materials such as plastic, paper, foil, filaments, wood or textiles.



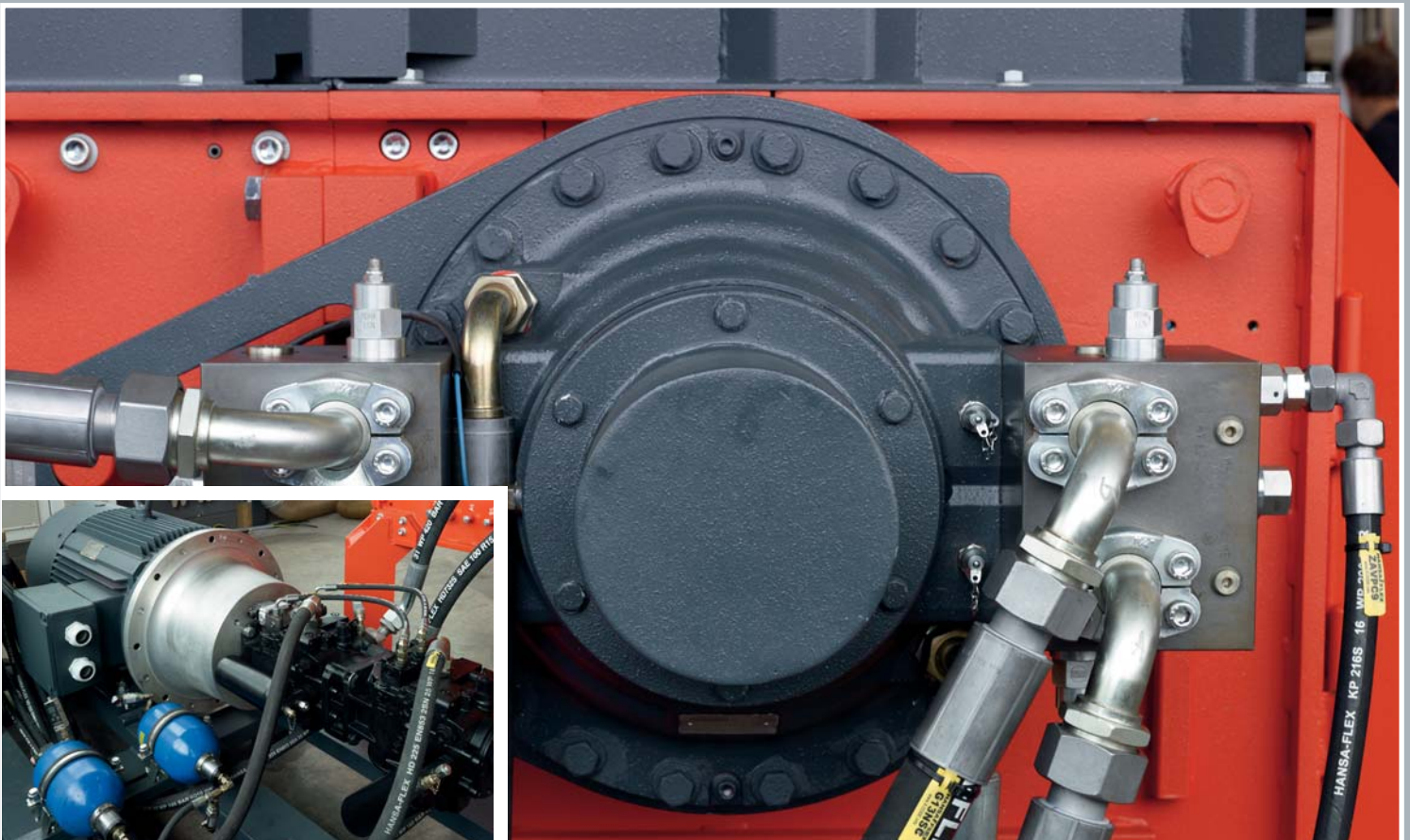
**F-ROTOR** ▶ The F-Rotor demonstrates controlled feeding and precise cutting. The rotor can be provided with bolted or welded knife holders. Additionally, an extreme wear protection (vaudit) is available.



### ELECTROMECHANICAL OR HYDRAULIC DRIVE?

**Conventional drive** (see image above): The rotor is driven by a gearbox that was developed in-house with an electric motor (110 kW), hydro clutch and v-belt.

**Hydraulic drive** (see image below): The solid drive for extremely high torque at low kW performance. By the help of a variable capacity pump, one is able to adjust the motor speed.



# DIFFERENT MATERIALS?

NO PROBLEM FOR WEIMA'S SPIDER.

In order to grind different materials efficiently, expert know-how and experience is important. The spectrum of projects is wide because of the variety of material, shapes, sizes and pollution degrees. It is important to

match the application requirements to a customized machine in order to achieve optimal results. This is what the Spider HRS has to offer!

## SAMPLE MATERIALS. PERFECTLY DISPOSED



**PLASTIC** ▶ plastic cans, hard plastic, film, Big-Bags, packaging



**PAPER** ▶ waste paper, cellulose, documents



**CARDBOARD** ▶ packaging, composite material



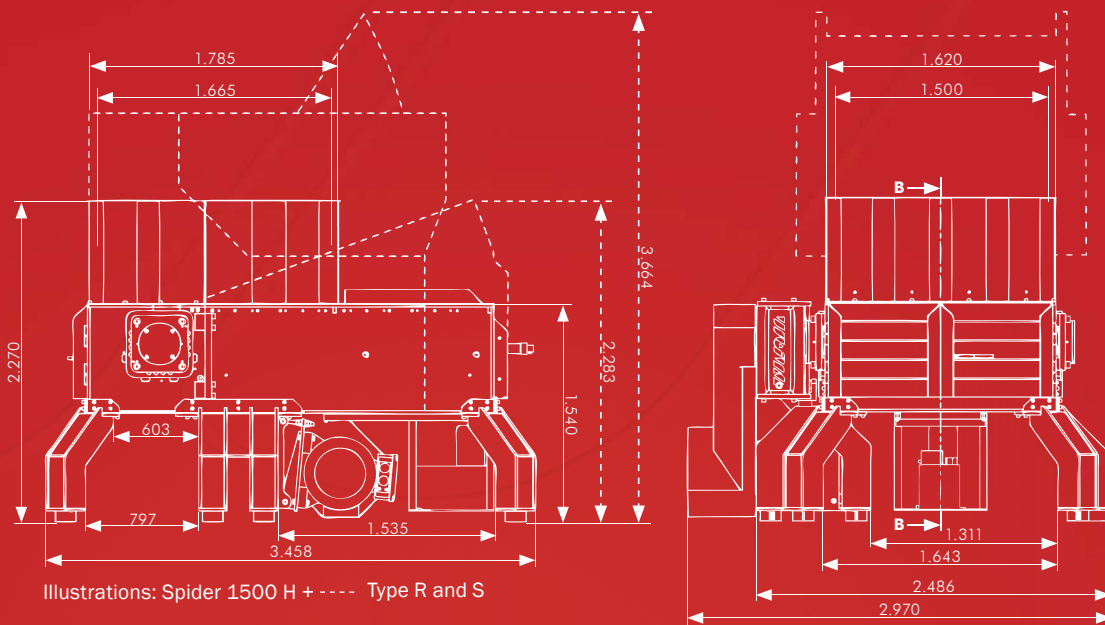
**ELECTRONIC SCRAP** ▶ wire, computers, cell phones



**TEXTILES** ▶ carpet, remnants



**WOOD** ▶ pallets, furniture, hard and soft wood, chipboard, MDF



TECHNICAL SPECIFICATIONS*		SPIDER 1000 H	SPIDER 1500 H	SPIDER 2000 H
Feed opening	[mm]	1.000 × 1.660	1.500 × 1.660	2.000 × 1.660
Number of blades (40×40)**	V rotor	54	82	110
	F rotor	76	116	156
Rotor Ø	[mm]	450	450	450
Rotor speed	[approx. rpm]	126	126	126
Motor output	[kW]	45/55/75	75/90	75/90/110
Weight	[approx. kg]	6.500	8.500	10.500

\* Technical data for R- and S-version on request.

\*\* Standard.

Weima offers high availability on spare parts and reliable on-site service. Please ask our competent and friendly service department staff.

